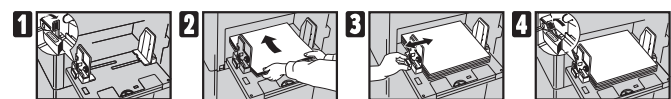


# Easy Operation Guide

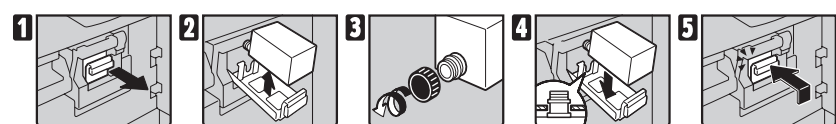
## Standard Printing



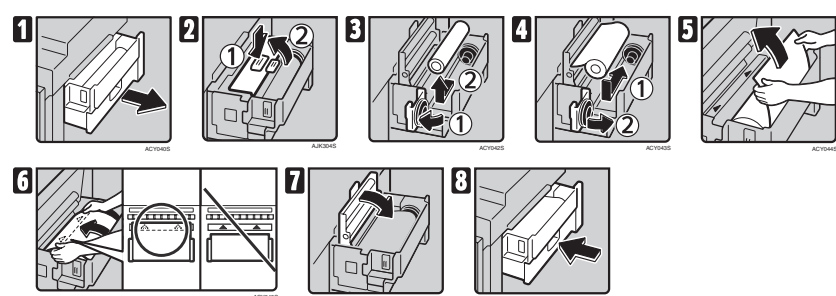
## Loading Paper



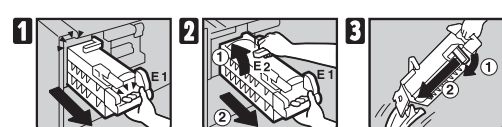
## Adding Ink



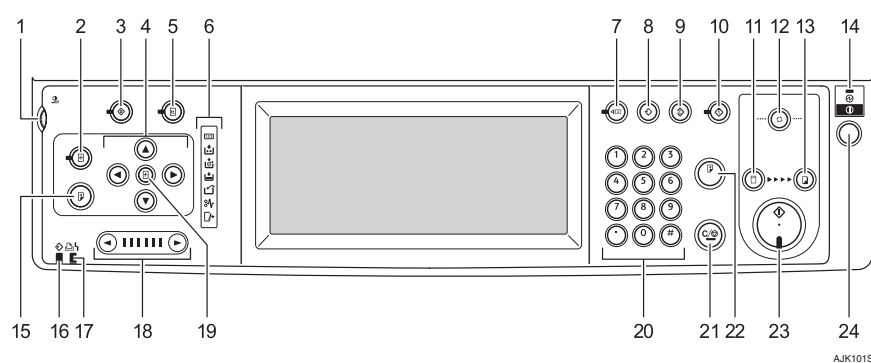
## Replacing the Master Roll



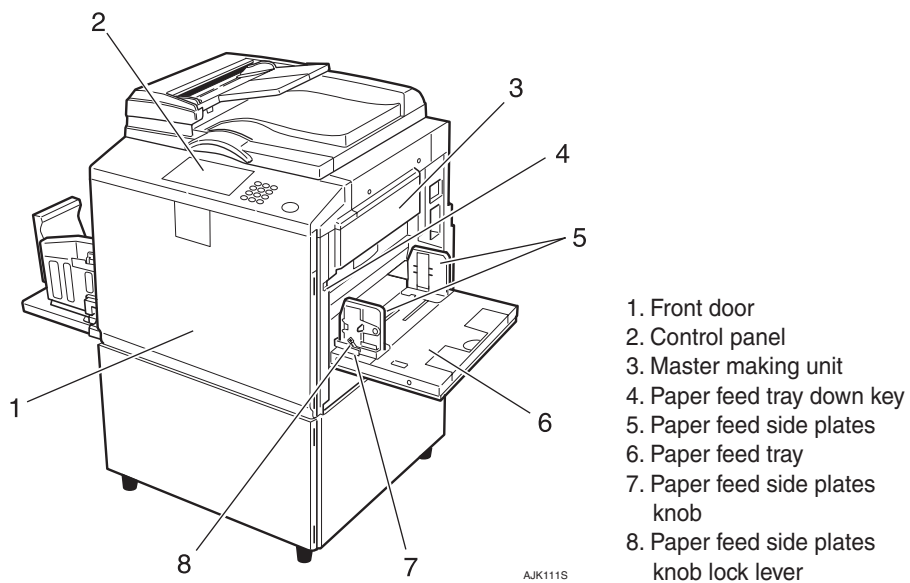
## Removing the Used Master



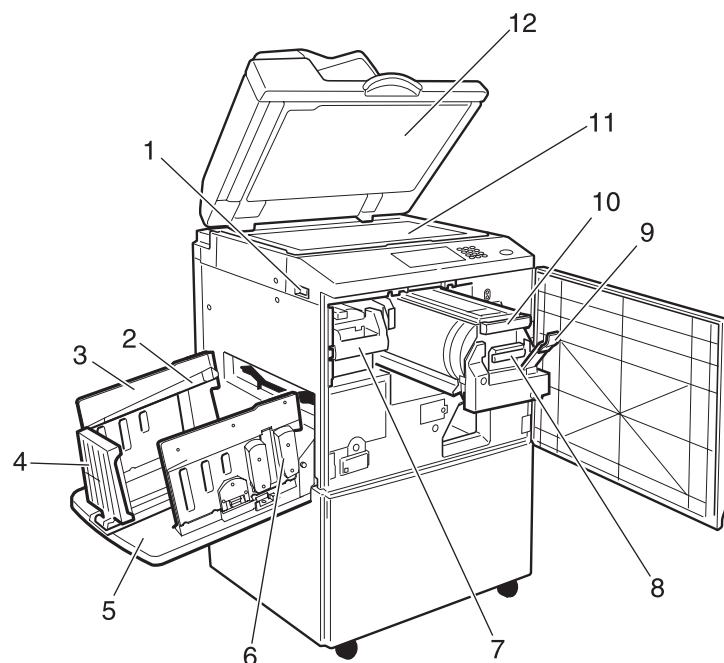
## Control Panel



- |                           |                                     |                            |
|---------------------------|-------------------------------------|----------------------------|
| 1. Screen contrast knob   | 9. [Clear Modes] key                | 17. Error indicator        |
| 2. [Image Position] key   | 10. [Hold Data-in] key              | 18. Speed Setting keys     |
| 3. [User Tools] key       | 11. [Master Making] mode select key | 19. [Initial Position] key |
| 4. Position Setting keys  | 12. [Auto Cycle] key                | 20. Number keys            |
| 5. [Printer Settings] key | 13. [Print] mode select key         | 21. [Clear/Stop] key       |
| 6. Indicators             | 14. Main power indicator            | 22. [Proof] key            |
| 7. [Check Modes] key      | 15. [Proof] key                     | 23. [Start] key            |
| 8. [Program] key          | 16. Data In indicator               | 24. Operation switch       |



1. Front door
2. Control panel
3. Master making unit
4. Paper feed tray down key
5. Paper feed side plates
6. Paper feed tray
7. Paper feed side plates knob
8. Paper feed side plates knob lock lever

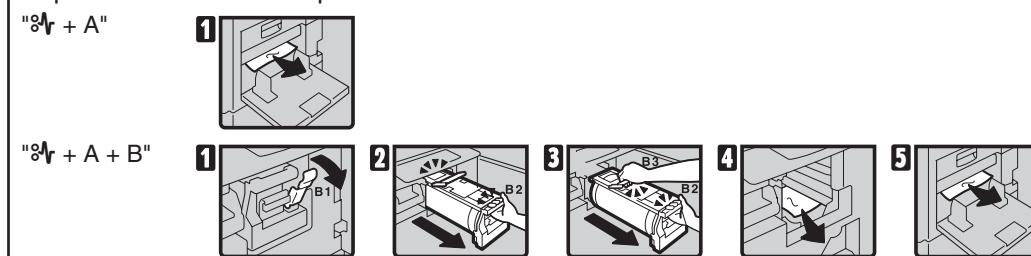


1. Main switch
2. Paper alignment wings
3. Paper delivery side plates
4. Paper delivery end plate
5. Paper delivery tray
6. Chocks
7. Master eject unit handle E1
8. Ink holder
9. Drum unit lock lever B1
10. Drum unit
11. Exposure glass
12. Auto Document Feeder (option)
13. Trailing edge guides
14. Buffer fins
15. Paper delivery end plate knob
16. Paper delivery side plate knobs

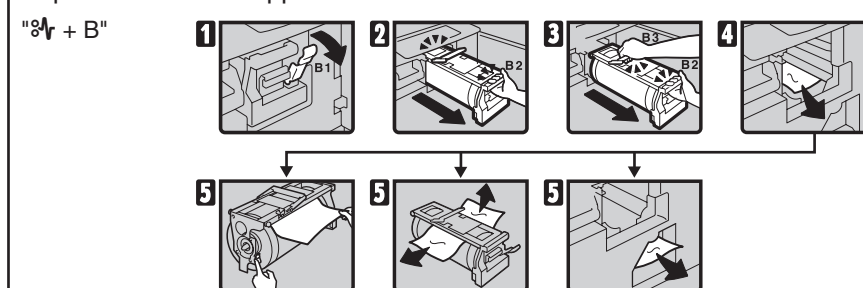
For details, see *Operating Instructions* on the CD.

## Clearing Misfeeds

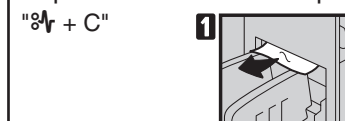
### Paper Misfeeds in the Paper Feed Section



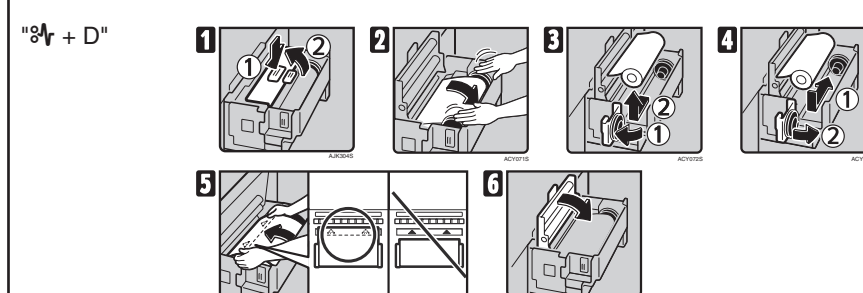
### Paper or Master Wrapped Around the Drum



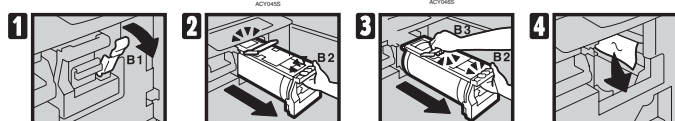
### Paper Misfeeds in the Paper Exit Section



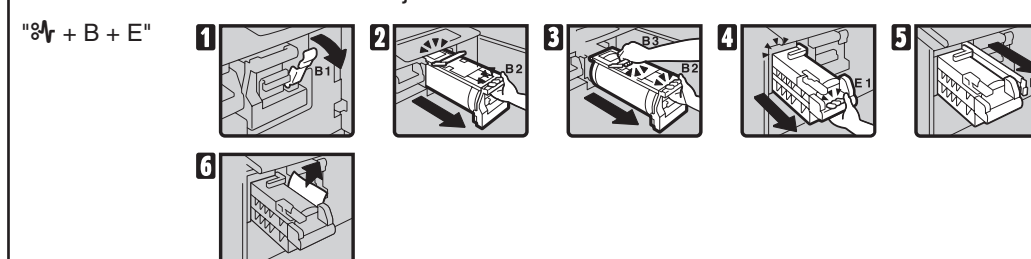
### Master Misfeeds in the Master Feed Section



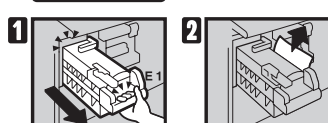
### 'A + B + D'



### Master Misfeeds in the Master Eject Section



### 'A + E'



### Original Misfeeds in the ADF

